

2200/2400 Series "J"

Features & Benefits

- Integral 1 1/16" J Channel which saves time and expense on siding applications.
- 3/4" Internal grills, add an elegant touch to your window.
- T-Bar assembly in upper sash helps ensure a square installation and enhances energy efficiency.
- 3/4" Intercept™ Warm edge insulated glass, reduces energy costs.
- Both sashes tilt in and are removable for safe and easy cleaning.
- Integral interlock system provides protection against air infiltration and makes window more secure.
- Double weatherstripped sash provides extra protection against dust, dirt, and noise.
- Integral lift handles makes opening windows easier.
- 2200 series "J" applies to vinyl sizing, 2400 series "J" applies to wood sizing
- Tested and approved to meet NFRC requirements

Available Options

- 3/4" grills
- Low-E glass
- Energy code Low-E glass
- Argon gas
- Half or full screen (extruded aluminum)
- Almond color available

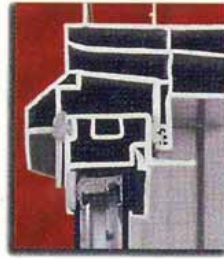


999A South Grand St.
 Hammonton, NJ 08037
 1.877.4.PATRIOT



A Product Of Evolution

Designed With New Features For Optimum Performance



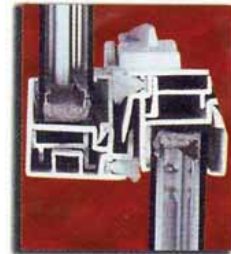
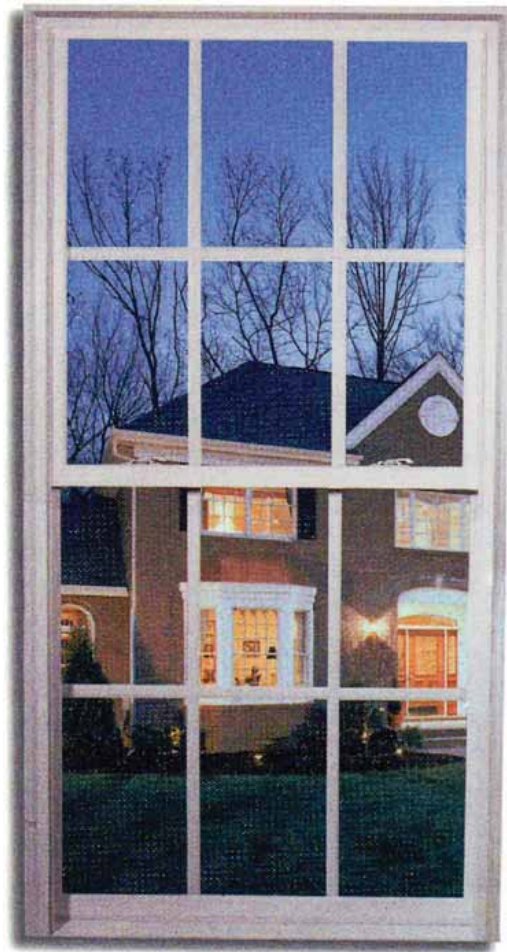
Welded Sashes



3/4" Intercept™ Glass



3/4" Grills



Integral Interlocks



Welded Beveled Frame



Tilt-In Feature

Provides easy and safe interior cleaning



1 1/16" Integral J Channel



Welded Sloped Sill



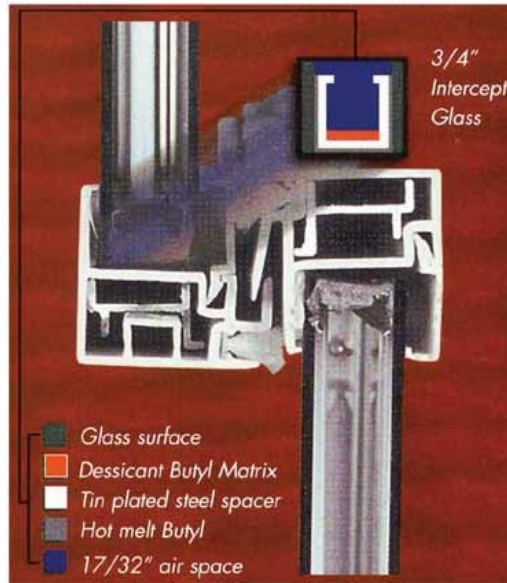
New Construction Double Hung

2200/2400 Series "J"



999A South Grand St.
Hammononton, NJ 08037
1.877.4.PATRIOT

Performance



2200/2400 Series Double Hung Windows - Test Results

Overall Ratings: ASTM D-4099 • Grade 30 Performance Classification

Test	Measured	Allowed
Air Infiltration @ 1.57 psf (25 mph)	0.12 cfm/ft	0.37 cfm/ft
Water Resistance (5.0 gph/ft ²) @ 2.86 psf	No Leakage	No Leakage
Uniform Load @ 22.5 psf	No Damage	No Damage

NFRC 100-91 Simulated U-Value Test Results

Window Size Tested-Residential ••• 36x60

	Simulated U-Values	Visible Transm. With out Grids	Visible Transm. With Grids	SHGC* w/out Grids	Shading Coefficient With Grids
Clear Glass	.49	.65	.58	.63	.63
Low E - Glass	.35	.56	.50	.37	.33
Low E W/Argon Gas	.32	.56	.50	.37	.33

*SHGC – Solar Heat Gain Coefficient