

Cleaning Window and Door Frames

Patriot vinyl windows and doors are designed to be virtually maintenance free. A heavy rain is often sufficient to clean the exterior of these products. However, due to weather, environment or atmospheric conditions, the exteriors may become dirty over time and require cleaning.

You can easily wash them using an ordinary garden hose. Do not wash the windows or doors with a high-pressure spray. The extreme pressure could crack or destroy the caulking around the window or door. When cleaning windows, always use care to avoid electrical lines, unsafe heights and other hazards.

If neither rain nor rinsing with a hose does a satisfactory job cleaning your Patriot windows, follow these simple instructions to clean them:

Normal Maintenance

For both the interior and the exterior of your Patriot windows, we recommend you wash the frames and glass using a soft cloth or ordinary long-handled soft bristle brush. For textured surfaces, using the soft bristle brush avoids smearing the stain into the grooves of the texture.

Readily available water-based household cleaners such as Fantastik[®], Windex[®], and Lysol[®] can be used to remove dirt and stains such as top soil, motor oil, lithium grease, crayon, felt-tip pen, caulking, lipstick, grass, bubble gum, mold and mildew. Paint stains can be removed using a plastic spatula or credit card to peel the paint off the vinyl. Oil or tar can be dissolved using mineral spirits on a soft cloth. Rinse the area thoroughly with a solution of water and mild dishwashing liquid after cleaning with mineral spirits.

For particularly persistent stains, you may choose to use a mildly abrasive cleaner, such as Soft Scrub[®]. **Note that the use of any abrasive material (including mildly abrasive cleaners) will alter surface appearance. Any damage is the responsibility of the homeowner.**

For exterior cleaning, water from a garden hose can be used to dislodge any soil and perform the final rinse. Caution should be used, for many operable windows and doors are not designed to withstand direct, full-pressure, full-volume spray from a typical garden hose. Such windows may allow water to penetrate into unwanted locations when subjected to such a spray. When using a garden hose, always apply the water at a low volume, using moderate water pressure, and an indirect spray. Always start with windows on the upper floors and work down. Minimize the amount of water running over the lower portions of the building to avoid other stains or damage.

Label Removal

Only remove temporary labels that do not indicate certification of the products or contain warranty information. Temporary labels are generally applied to the glass and obviously impede the view. They can be carefully peeled off the glass, with any remaining adhesive removed using mineral spirits or commercial adhesive remover such as Goo Gone[®] or Goof Off[®]. Rinse the glass area with a solution of water and mild dishwashing detergent after using these products. Avoid scratching the glass with razor blades or other sharp tools.

Permanent labels such as AAMA, WDMA and Warranty product certification labels should not be removed. They will generally be located in inconspicuous locations in the head of windows or can only be seen when the sash is tilted inward.

Note: Masking tape should not be used on glass surfaces. Masking tape may, when heated by sunlight, bake into the glass and/or window frame, causing damage when removed.

Sash Lubrication

Occasionally the sash may operate with difficulty and may require minor lubrication.

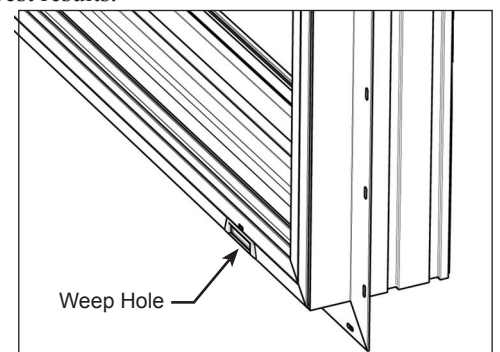
Before lubricating movable panel tracks, the installer/homeowner should verify that the lubricant is compatible with the vinyl, aluminum, or other materials used in the product's assembly. If silicone aerosol sprays are used, they should be prevented from contacting glass surfaces, as they can permanently mar the glass. We recommend a spray furniture polish for best results.

! IMPORTANT: Do Not Paint Vinyl Windows. Painting vinyl windows will render null and void your product warranty.

Exterior Weep Holes

Some of our window and door products come with built-in exterior water drainage systems called "weep holes." These appear on the exterior of our window and door products at the sill area, and must remain clear of obstruction to function properly.

! IF THESE HOLES ARE BLOCKED BY TAPE, DEBRIS OR CAULK, YOU MAY HAVE THE POSSIBILITY FOR WATER INFILTRATION INSIDE YOUR HOME!



Window Caulking

In many installations, caulking is used to prevent air and moisture from entering around the window. Where visible, this caulk must be examined annually for cracks or other damage. If damaged, reapply the with an exterior-grade caulk, following the caulk manufacturer's instructions for application.

Casement Maintenance

Your Patriot casement window will provide you years of fine service, provided you regularly clean the operating zone of the unit. To do this, open the window fully and remove screen. Clean the upper and lower hinge tracks, and the sill of the window, using a soft cloth dampened with a solution of water and mild dishwashing liquid. Rinse thoroughly, removing residual dishwashing liquid to prevent streaking of the exterior of the home.

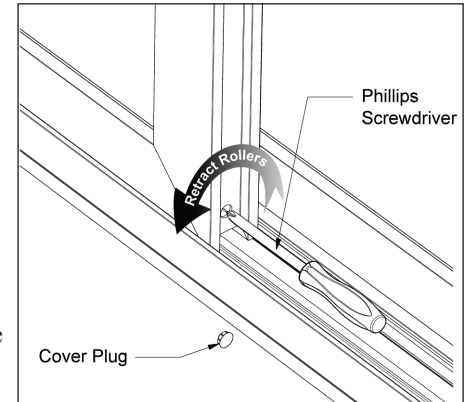
Patio Door Maintenance

Cleaning Roller Tracks

The door roller track can often collect dirt or construction debris, which will result in rough operation of the door panel. If the door does not glide smoothly across the sill, check the sill track for debris. To clean the roller track, simply use a vacuum cleaner to pick up the loose material, then use a cloth or sponge and a solution of water and mild dishwashing liquid to finish the cleaning. The screen roller track can also be cleaned in the same fashion.

Adjusting Rollers on Operating Panels

The Patriot patio door operating door panel can be raised or lowered using the roller assembly adjustment screws. To adjust roller assembly height, remove the cap on the lower edge of the door. Using a Phillips head screwdriver, rotate the screw clockwise to raise or counterclockwise to lower the roller.



Patio Door Screen Adjustment:

The Patriot patio door screen rests on rollers in a screen track. The height of these rollers can be adjusted by turning the knurled knobs attached to each roller assembly. Each roller can be adjusted independently to level the screen and to ensure smooth operation.

Locking Mechanism Adjustment

To adjust the amount of throw (reach) the mortise lock hook will have, open the door to gain access to the edge of the door with the mortise lock. Rotate the adjustment screw clockwise to extend the hook, or counterclockwise to retract the hook. Close the door, turn the lock, and check the clearance again by trying to open the door while in the locked position. A limited amount of play should be allowed between the lock and the keeper.

Cleaners for Stain Removal of Vinyl Window and Door Frames

Oil Based Caulk (i.e. DAP®): Fantastik®, mineral spirits

Felt-tip Pen: Fantastik®, Water based cleaners

Grass: Fantastik®, Lysol®, Murphy's Oil Soap®, Windex®

Mold and Mildew: Fantastik®, solution of 30% vinegar and 70% water, Windex®

Oil or Tar: Mineral spirits

Paint: Plastic spatula/credit card, scrubbing pad for non-stick cookware

Rust: Fantastik®, Murphy's Oil Soap®, Windex®

Do not use cleaners containing aggressive ingredients because they could affect the surface appearance. Examples of such cleaners are: chlorine bleach, liquid grease remover, strong soaps, nail polish remover and detergents containing organic solvents. **Note that the use of any abrasive material (including mildly abrasive cleaners) will alter surface appearance. Any damage is the responsibility of the homeowner.**



IMPORTANT: DO NOT PAINT VINYL WINDOWS. Painting vinyl windows will render null and void your product warranty.